

Full HD  
1080



## FEATURES

- ◆ 1/3" Panasonic **2.2M Progressive Scan CMOS**
- ◆ **HD-SDI : 1080@30p/25p, 720@60p/50p**
- ◆ **True Day & Night with ICR Mechanism**
- ◆ Convenient OSD control by portable Joystick
- ◆ f: 3.7mm Megapixel Lens
- ◆ NTSC, PAL CVBS without WDR
- ◆ 24 unit LED
- ◆ On Screen Display key
- ◆ Wide Dynamic Range compensation
- ◆ Adaptive Contrast Enhancer
- ◆ Digital Noise Reducer(2D/3D)
- ◆ Motion detection / Privacy mask
- ◆ RS485 communication
- ◆ High Light Masking
- ◆ Digital Slow Shutter
- ◆ Digital Zoom (1X~64X)

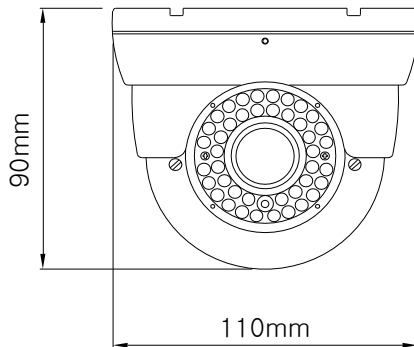
## MDFH-F9324PE



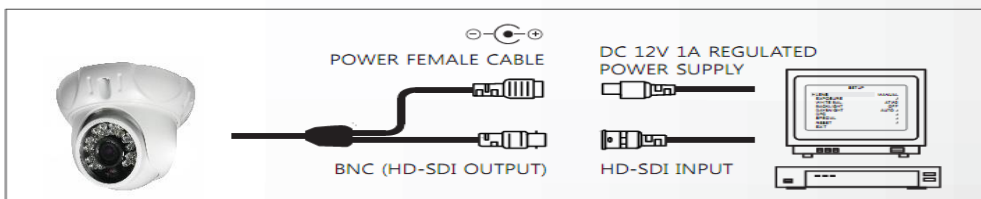
CE FC RoHS



## DIMENSIONS



## Cable Connection



## MDFH-F9324PE



## SPECIFICATIONS

Image Device	Panasonic 1/3" 2M CMOS
Total Pixels	2010(H) x 1108(V) approx. 2.2M pixels
Effective Pixels	1944(H) x 1092(V) approx. 2.1M pixels
Scanning System	Progressive
Resolution	1080p@30/25fps, 720p@60/50fps Max. 1,100TVL
S/N Ratio	More than 50dB (AGC OFF)
Min. Illumination	0.001 Lux @ (DSS ON, BW)
Video Output	HD-SDI
	1.0 Vp-p NTSC/PAL Composite Signal(without WDR)
Sync. System	Internal
Electronic Shutter	NTSC : 1/30~1/60,000sec, PAL : 1/25~1/60,000sec
Lens Type	3.7mm Mega Pixel Lens
LED	24units
OSD	Option
Focus Adjust	Off/On
Lens	ELC/ALC
AGC	0 - 20 steps
Shutter Speed	MANUAL/AUTO/FLK
Sens-up	Off/X2~X8
Brightness	0 - 20 steps
WDR/BLC	Off/HLC/BLC/WDR
ACE	Off/Low/Middle/High
Day&Night	Auto/Color/B&W/EXTERN
White Balance	Auto/Autoext/Preset/Manual
3D-DNR	Off/Low/Middle/High
Mirror	Off/On
Flip	Off/On
Sharpness	0 - 10 steps
Shading	Off/On
Digital Zoom	X1 - X64
Motion Detection	Off/On
DEFOG	Off/On
Privacy Mask	OFF, ON (16 AREAS)
Language	English/Chinese/Korean/Japanese/Russian/French/German
Operating Temp. / Storage Temp.	-10°C~+50°C(14°F~122°F) / -20°C~+60°C(-4°F~140°F)
Humidity	Less than 80% RH
Power Consumption	DC12V : DC12V(±10%), Max. 150mA
	DC12V : DC12V(±10%), Max. 350mA
Dimension(mm)	110mm X 90mm
Weight	Approx. 400g

**Re-Seller:** SIN CHEW ALARM PTE LTD



10 Upper Aljunied Link #06-02/03/04  
Singapore 367904  
Tel: (65) 62872788 Fax: (65) 62870856  
Email: enquiry@sinchewalarm.com  
<http://www.sinchewalarm.com>