

2.1 Megapixel HD-SDI Camera

Full HD
1080



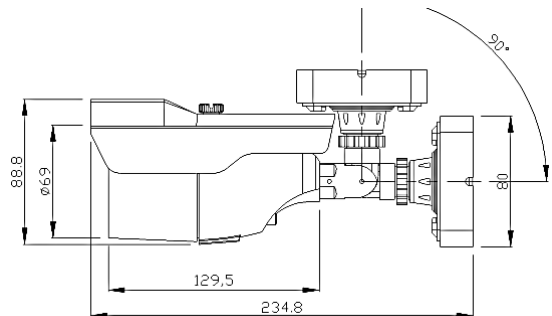
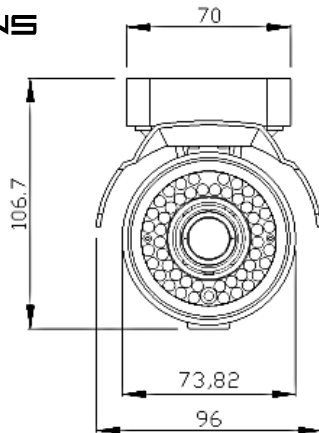
FEATURES

- ◆ 1/3" Panasonic **2.2M Progressive** Scan CMOS
- ◆ **HD-SDI : 1080@30p/25p, 720@60p/50p**
- ◆ True Day & Night with ICR Mechanism
- ◆ Focal Length 2.8-12mm lens
- ◆ NTSC, PAL CVBS without WDR
- ◆ 54unit LED
- ◆ On Screen Display key
- ◆ Wide Dynamic Range compensation
- ◆ Adaptive Contrast Enhancer
- ◆ Digital Noise Reducer(2D/3D)
- ◆ Motion detection / Privacy mask
- ◆ RS485 communication
- ◆ High Light Masking
- ◆ Digital Slow Shutter
- ◆ Digital Zoom (1X~64X)

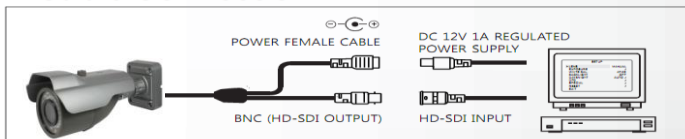
RBFH-V6554PE



DIMENSIONS



Cable Connection



RBFH-V6554PE



SPECIFICATIONS

Image Device	Panasonic 1/3" 2M CMOS
Total Pixels	2010(H) x 1108(V) approx. 2.2M pixels
Effective Pixels	1944(H) x 1092(V) approx. 2.1M pixels
Scanning System	Progressive
Resolution	1080p@30/25fps, 720p@60/50fps Max. 1,100TVL
S/N Ratio	More than 50dB (AGC OFF)
Min. Illumination	0.001 Lux @ (DSS ON, BW)
Video Output	HD-SDI
	1.0 Vp-p NTSC/PAL Composite Signal(without WDR)
Sync. System	Internal
Electronic Shutter	NTSC : 1/30~1/60,000sec, PAL : 1/25~1/60,000sec
Lens Type	2.8-12mm Mega Pixel Lens
LED	54units
OSD	Option
Focus Adjust	Off/On
Lens	ELC/ALC
AGC	0 - 20 steps
Shutter Speed	MANUAL/AUTO/FLK
Sens-up	Off/X2~X8
Brightness	0 - 20 steps
WDR/BLC	Off/HLC/BLC/WDR
ACE	Off/Low/Middle/High
Day&Night	Auto/Color/B&W/EXTERN
White Balance	Auto/Autoext/Preset/Manual
3D-DNR	Off/Low/Middle/High
Mirror	Off/On
Flip	Off/On
Sharpness	0 - 10 steps
Shading	Off/On
Digital Zoom	X1 - X64
Motion Detection	Off/On
DEFOG	Off/On
Privacy Mask	OFF, ON (16 AREAS)
Language	English/Chinese/Korean/Japanese/Russian/French/German
Operating Temp. / Storage Temp.	-10°C~+50°C(14°F~122°F) / -20°C~+60°C(-4°F~140°F)
Humidity	Less than 80% RH
Power Consumption	DC12V : DC12V(±10%), Max. 150mA
	DC12V : DC12V(±10%), Max. 600mA
Dimension(mm)	74(W) x 235(L) x 89(H) mm
Weight	Approx. 500g

Re-Seller: SIN CHEW ALARM PTE LTD



10 Upper Aljunied Link #06-02/03/04
Singapore 367904
Tel: (65) 62872788 Fax: (65) 62870856
Email: enquiry@sinchewalarm.com
http://www.sinchewalarm.com