

PRO Series

Tender / Bid specifications :

Specifications for Motorized Projection Screen:


Screen Size	:	1580mm x 1580mm to 2720mm x 1520mm
Motor Type	:	AC Tubular Motor; Silent Type
Motor Speed	:	20 rpm
Operating	:	120 deg. Celsius (thermostat cut off motor)
Fabric Roll Speed	:	3.2 m/min
Screen Gain	:	1.2
Viewing Angle	:	160 degrees viewing cone
Screen Materials	:	Matte White, Vinyl Fabric and Polyester Fabric Flame Retardant and fungus resistant
External Wired Control	:	Normally open, momentary contact closure (voltage free)
IR Remote Sensitivity Distance	:	Maximum 15 metres
Sensor Coverage	:	160 deg. (horizontal) 150 deg. (vertical)
Power Consumption	:	121W
Current	:	0.97 or 0.53 Amperes
Voltage	:	100 - 120 VAC or 220 - 240 VAC, 50/60 Hz

Pelmet Mounting: Recommended Pelmet Size

PRO Series- Vinyl Fabric (No Black Border)

Recommended Pelmet Width = Screen Casing Width + 150mm

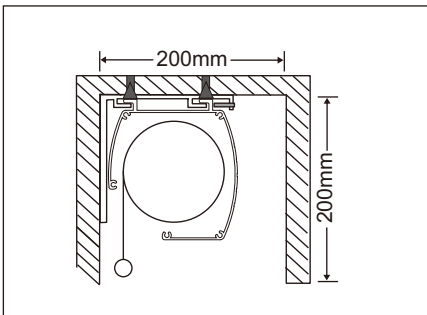
Screen Casing Width = Fabric Width + 79mm



 Fabric Width
 (Depend on Screen Model)

<u>Screen Model</u>	<u>Fabric Width</u>	<u>Screen Weight</u>
PRO-1515	1575mm	10kg
PRO-1818	1830mm	12kg
PRO-2121	2135mm	14kg
PRO-2424	2440mm	16kg
PRO-2727	2750mm	17kg

Pelmet depth and height (Minimum)

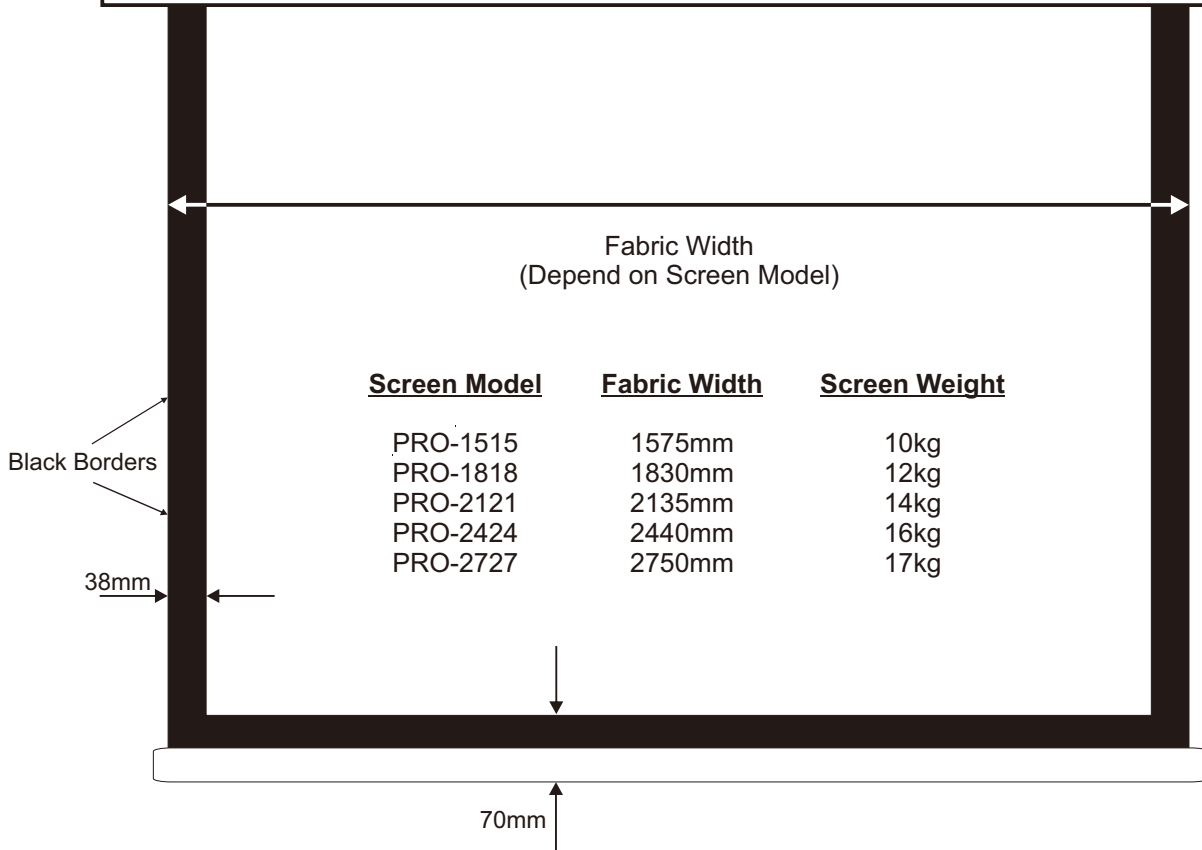


Pelmet Mounting: Recommended Pelmet Size

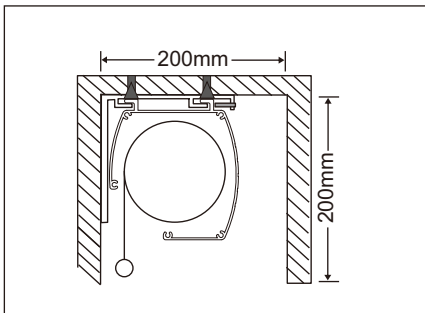
PRO Series- Polyester Fabric (Standard Size)

Recommended Pelmet Width = Screen Casing Width + 150mm

Screen Casing Width = Fabric Width + 79mm



Pelmet depth and height (Minimum)

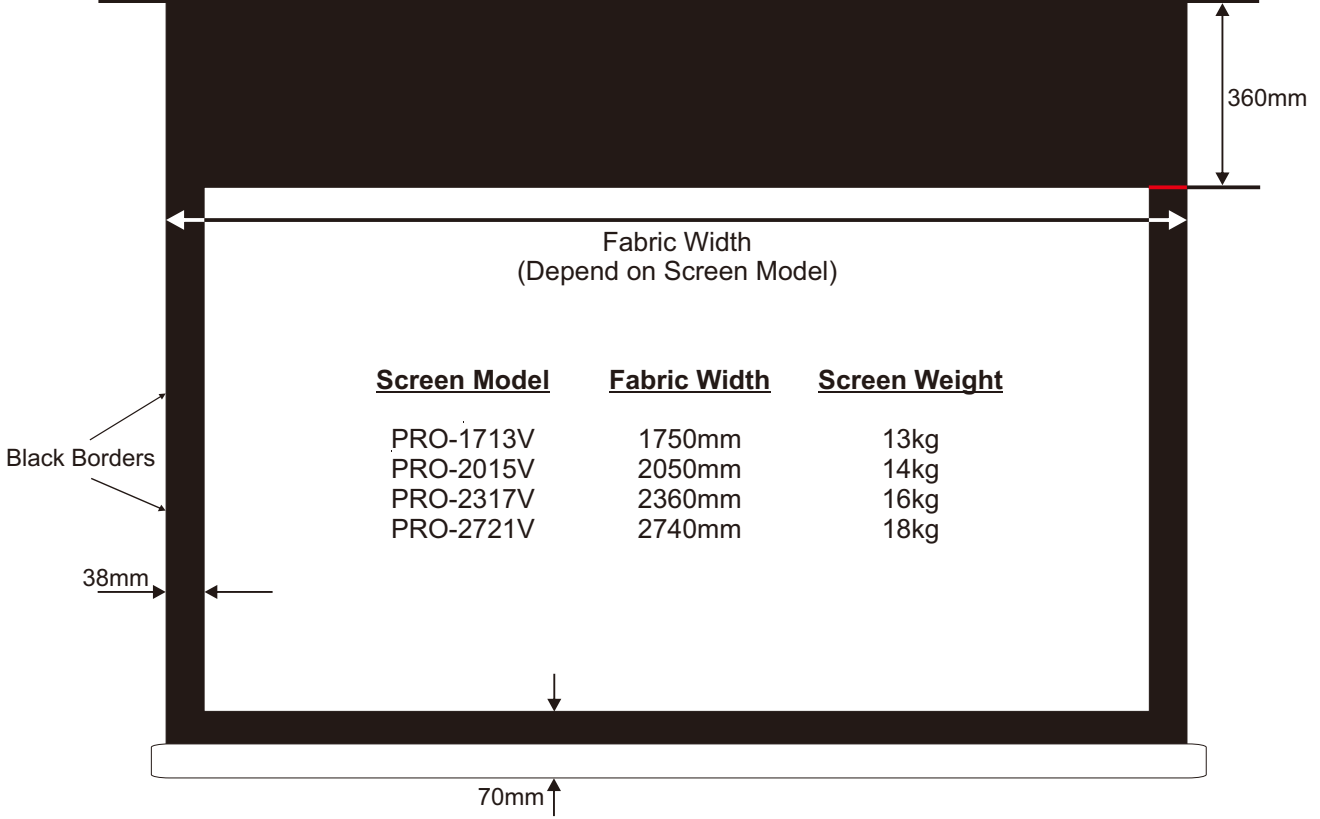


Pelmet Mounting: Recommended Pelmet Size

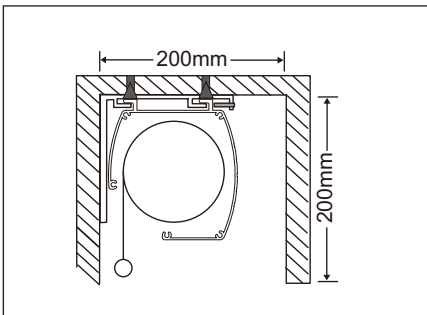
PRO Series- Polyester Fabric (Video Format)

Recommended Pelmet Width = Screen Casing Width + 150mm

Screen Casing Width = Fabric Width + 79mm



Pelmet depth and height (Minimum)

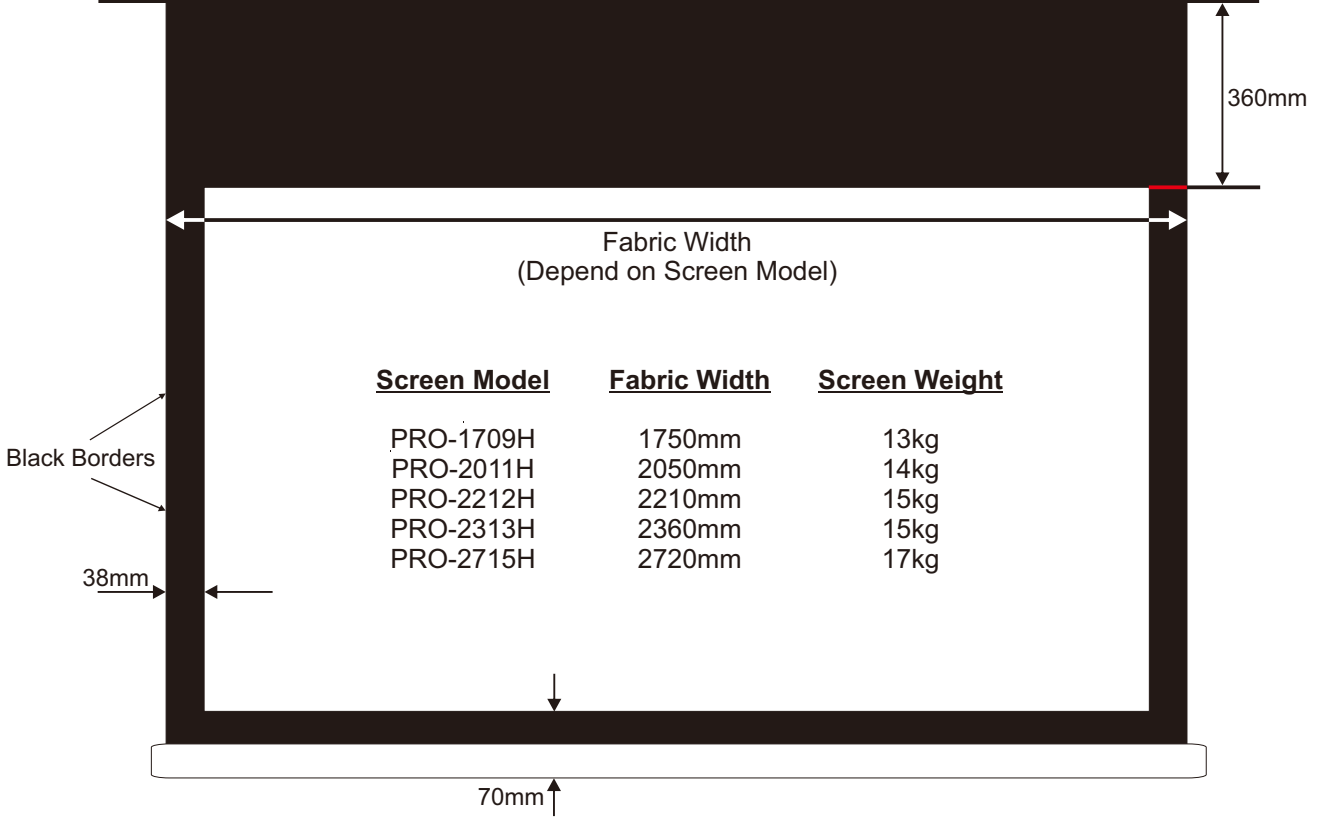


Pelmet Mounting: Recommended Pelmet Size

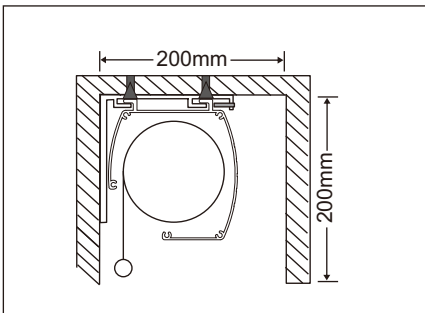
PRO Series- Polyester Fabric (HDTV Format)

Recommended Pelmet Width = Screen Casing Width + 150mm

Screen Casing Width = Fabric Width + 79mm



Pelmet depth and height (Minimum)

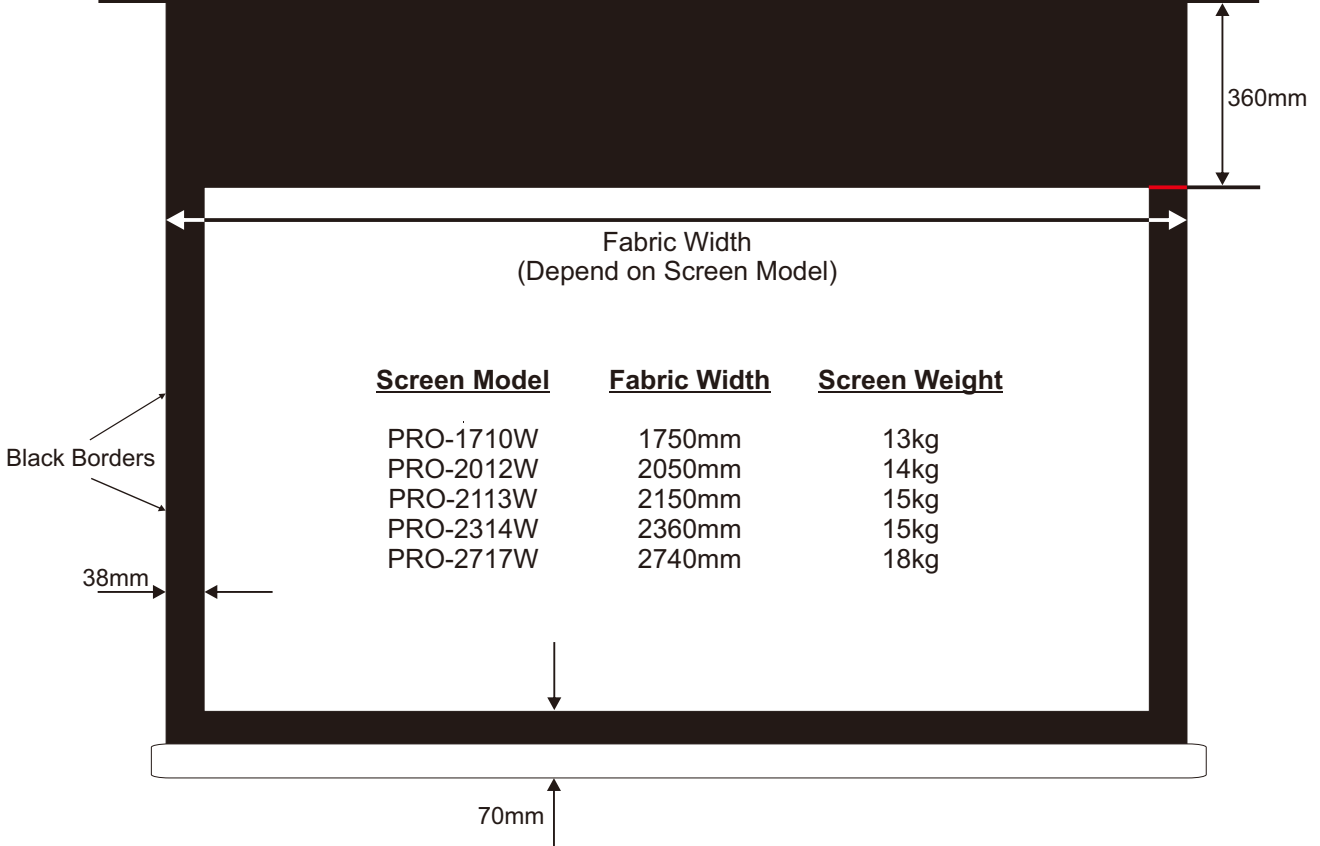


Pelmet Mounting: Recommended Pelmet Size

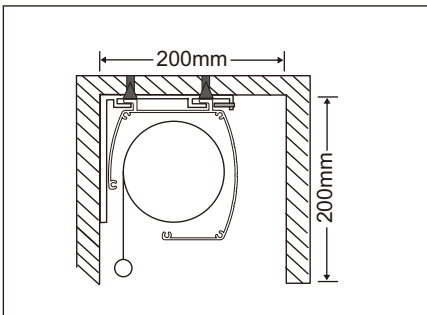
PRO Series- Polyester Fabric (Wide Screen Format)

Recommended Pelmet Width = Screen Casing Width + 150mm

Screen Casing Width = Fabric Width + 79mm



Pelmet depth and height (Minimum)



Comparison of Remaco Motorized Screen and Other Brand Screen

	Remaco Motorized Screen	Other Brands Motorized Screen
1	Infrared Remote Control Yes	No (buy separately as a optional item, very costly)
2	Electronic Screen Control Yes	No
3	Direct control by A/V Controller (such as AMX, Crestron, etc.) Yes (through Electronic Screen Control)	No
4	Shifting of Screen horizontally after installed (help to align projected image of LCD/CRT projector or OHP) Yes	No
5	Size / Dimensions Compact	quite bulky for big screen sizes
6	Installation Very easy (can be done by one person)	quite difficulty (usually need at least two person to do it)
7	Weight Lightweight	heavy for big screen sizes
8	Bracket and Mounting Accessories Included (universal brackets can be used for all kind of mounting)	Wall mount only (additional brackets are required for other form of mounting)
9	Casing Finishing Good (blend very well with interior wall)	Normal
10	Black Masking Borders Yes	Yes
11	Screen Fabric Matte White / Grey	Matte White / Grey
	IMPORTANT REMARKS:	
	Country of Origin: Singapore	
	Warranty: 2 years (usually other vendor provide 1 year warranty)	
	Motor: Made in Germany	
	Fabrics: Imported from USA	