

Installation Guide (ATT-475)

ATT-475

Important Notes:

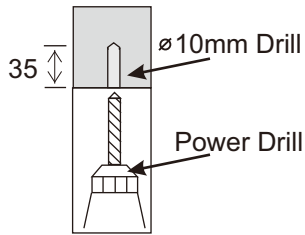
This product is thoroughly inspected and fully tested operation in factory.

We accept no liability whatsoever for any losses due to improper operation, or any unauthorized alternation.

All trademarks contained in this installation guide are the property of their respective owners

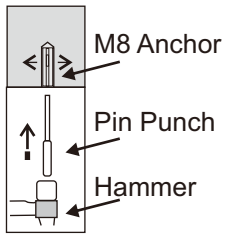
Steps for Installation

Step 1

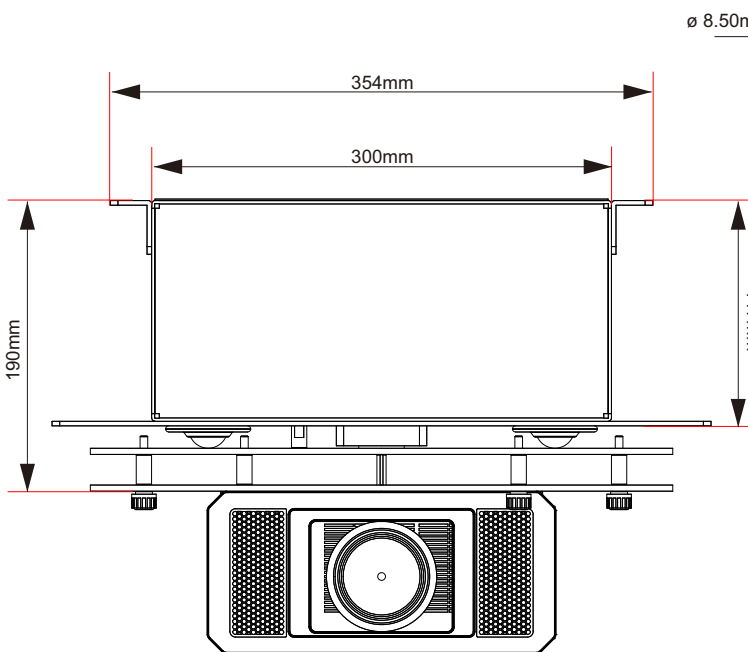
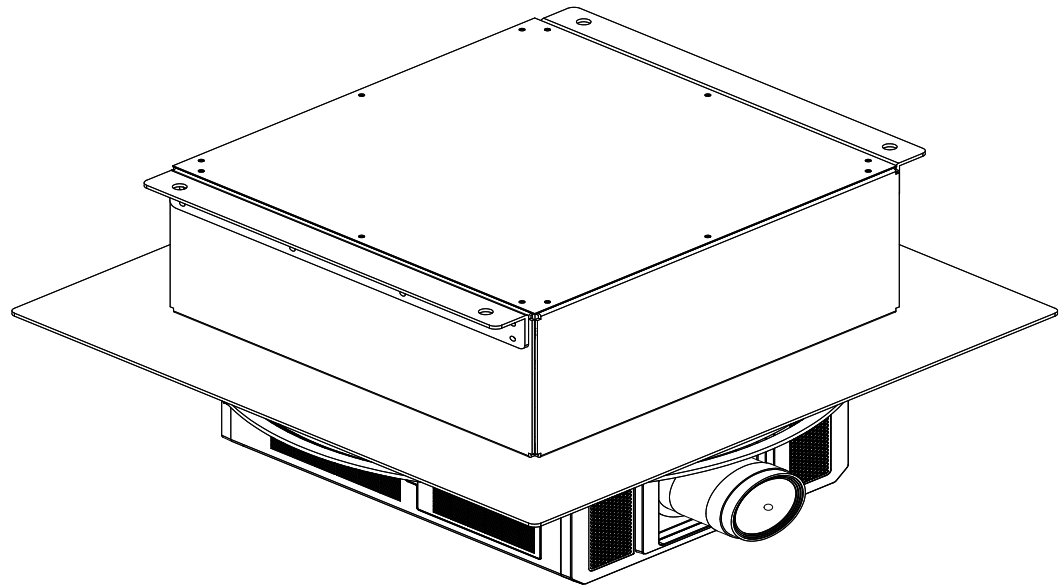


A) Drill Dia. 10mm holes to a depth of 35mm.
(Note: Do not drill too deep)

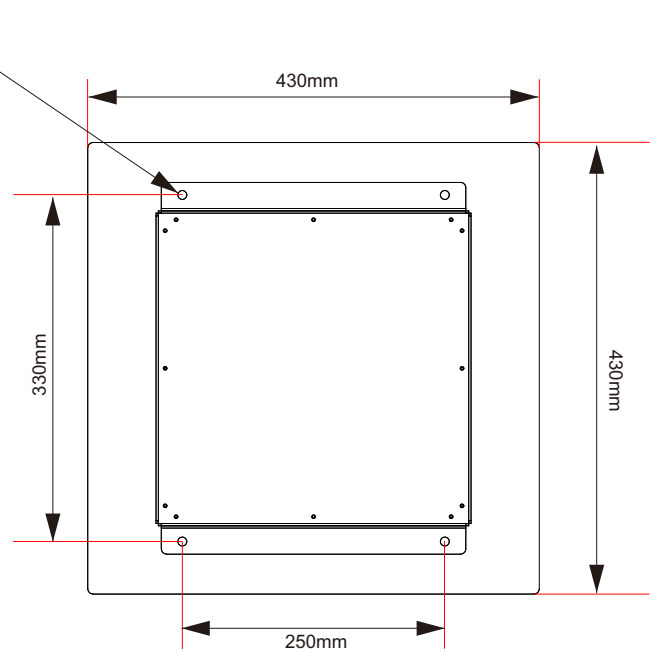
Step 2



B) Insert M8 anchor into the hole.
C) Use pin punch to expand the anchor.

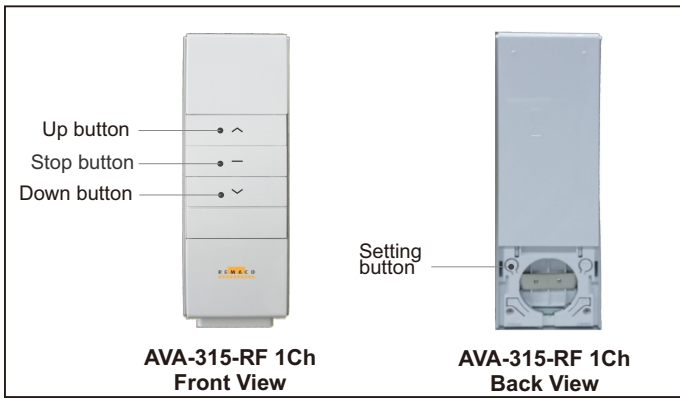


Front View

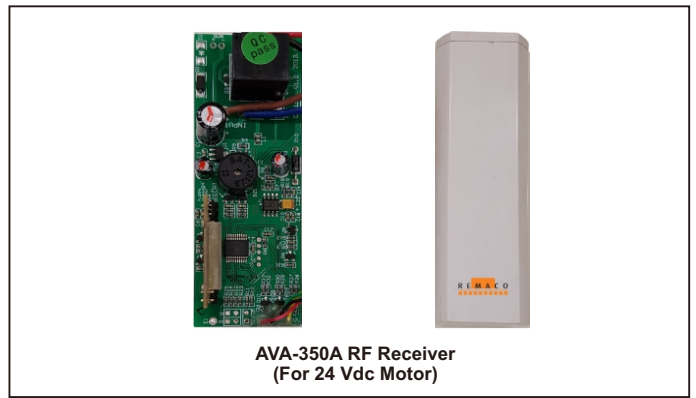


Top View

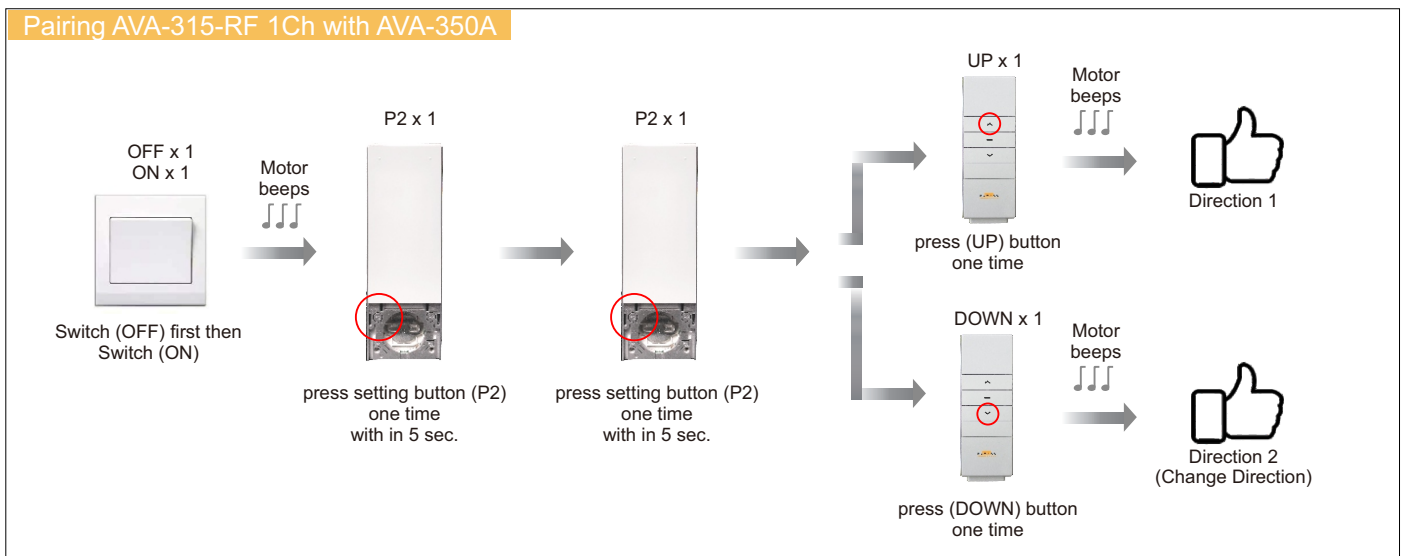
Radio Frequency Remote Control



AVA-350A Radio Frequency Receiver

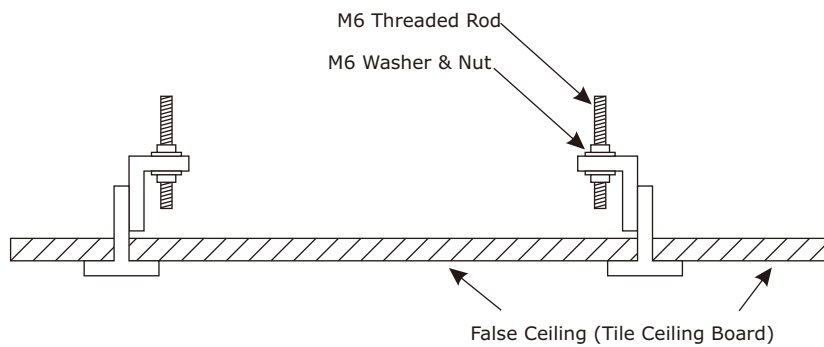


Pairing AVA-315-RF 1Ch with AVA-350A



False Ceiling Support

Option 1



Option 2

