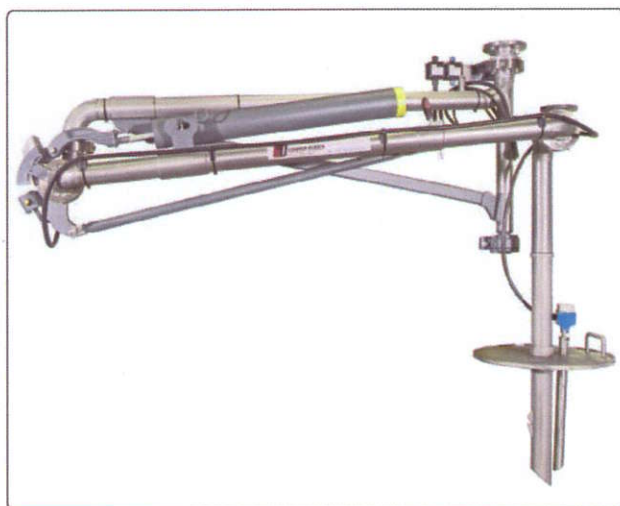
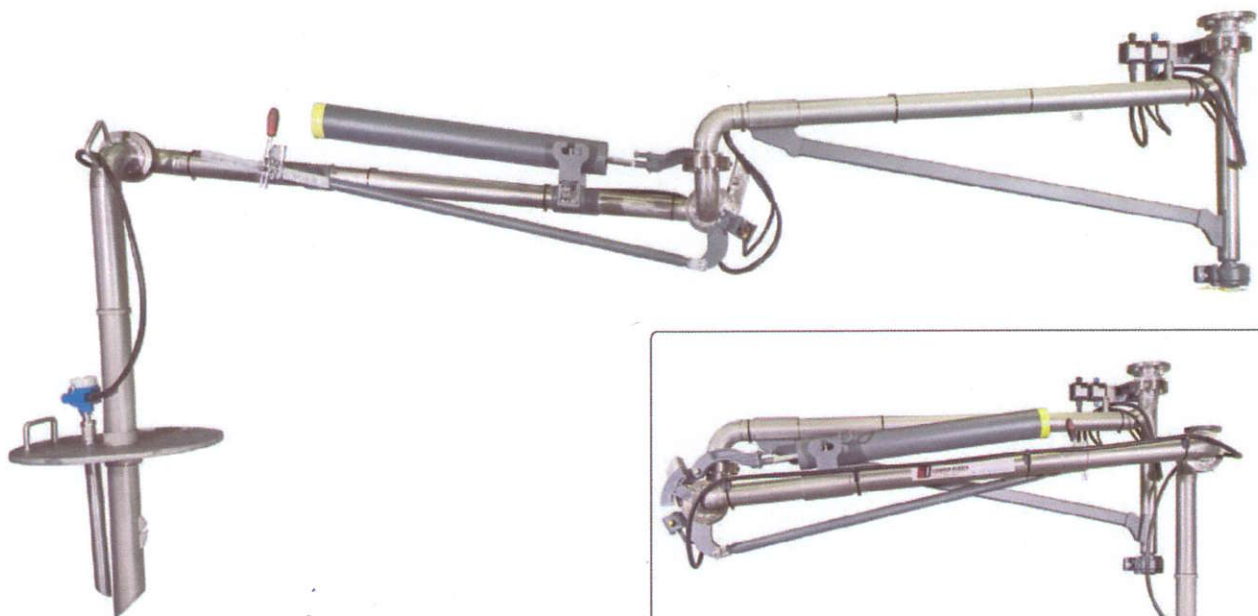


## E2808 - E2811, E2611 - E2614 | STANDARD LOADING ARMS



E2808 Loading Arm in parking position

### FEATURES

- \* Chemical application

This type of loading arm is especially designed to load chemical products. It is suitable for the top loading of Road or Rail tankers using the manhole. The loading arm has a long reach and is suitable for application where the manhole cannot be accurately positioned.

Because of the robust and high quality design of the swivel joints and the precise loading arm balancing handling of the loading arm is very convenient.

## E2808 - E2811, E2611 - E2614

# E2808 - E2811, E2611 - E2614 | LOADING ARMS

## TECHNICAL DATA 2808 - E2811, E2611 - E2614

Size DN	A*	B*	F*	H*	D	Q DIN PN 16	Q ANSI 150 lbs
mm	mm	mm	mm	mm	mm	mm	mm
50	2000	1600	2000	1300	256	225	244
80	2800	1600	2000	1300	333	269	288
100	2800	1600	2000	1300	411	311	335

Alternative dimensions and materials on request

### TYPES

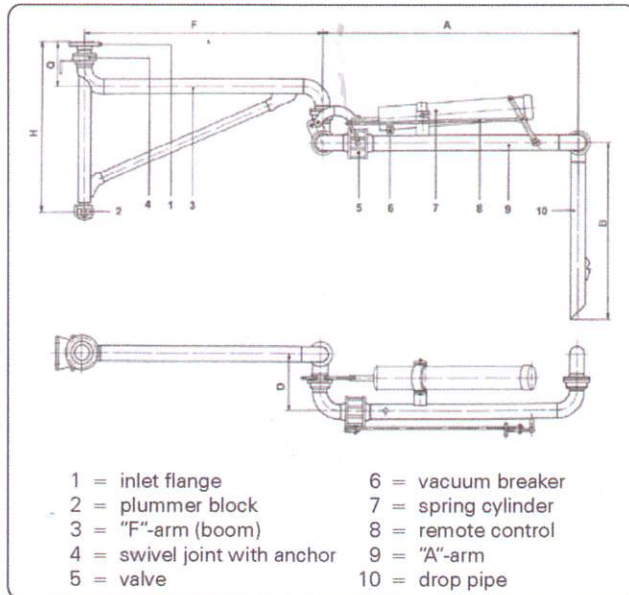
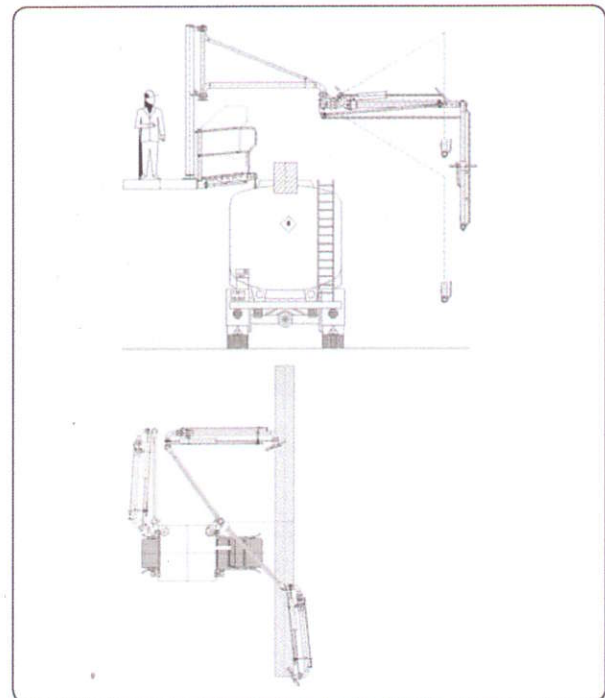
Sketch	Type	DN	Balancing method
	E2808 E2611	50, 80, 100	SC CW
	E2809 E2612	50, 80, 100	SC CW
	E2810 E2613	50, 80, 100	SC CW
	E2811 E2614	50, 80, 100	SC CW

DN 150 on request. SC = Spring cylinder, CW = Counterweight

### MATERIALS OF PRODUCT CARRYING PARTS

Loading arm	Carbon steel, stainless steel (low temperature possible)
Seals	Buna, Viton, PTFE
Accessories	Holding device for filling position, parallel bar
Design pressure (up to shut off valve)	max. 40 bar
Design temperature	-50 to +300 °C

### TYPICAL APPLICATION



Better by Design



**EMCO WHEATON**

A Gardner Denver Product

EMCO WHEATON GmbH  
Emcostraße 2-4 · 35274 Kirchhain · Germany  
Phone +49 6422 84-0 · Fax +49 6422 5100  
www.emcowheaton.com · assist@emcowheaton.com