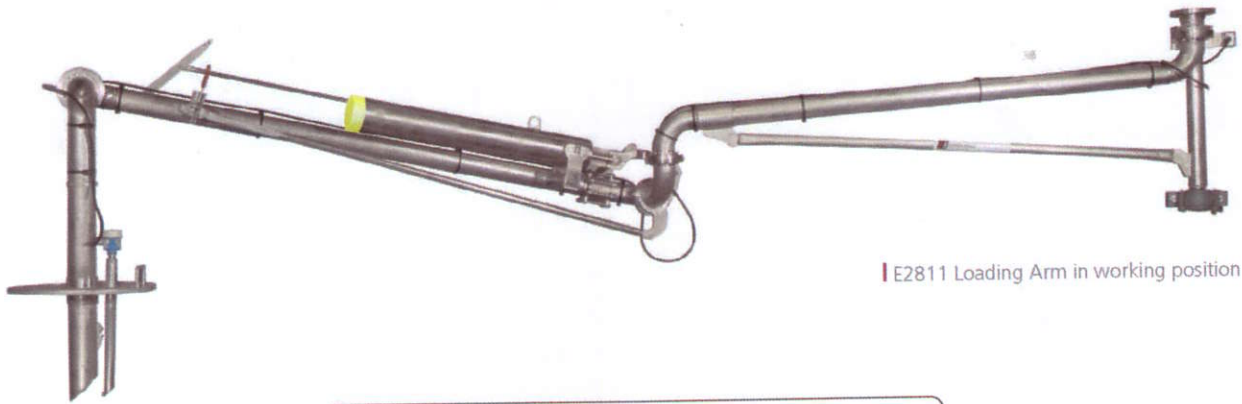
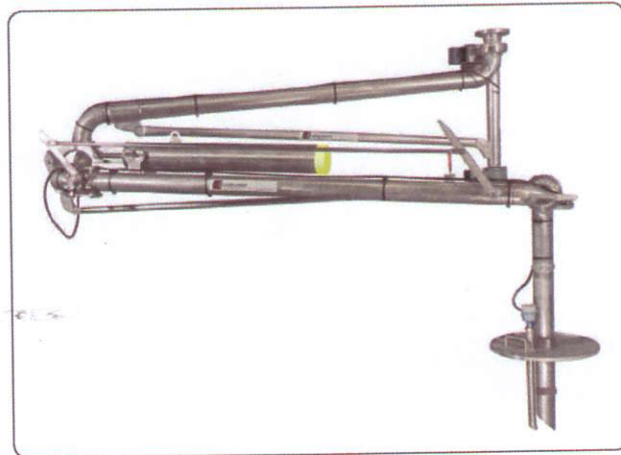


**E2800 - E2803, E2808 - E2811 | STANDARD LOADING ARMS**



| E2811 Loading Arm in working position



| E2811 Loading Arm in parking position

**FEATURES**

- \* Petroleum application
- \* Safe
- \* Easy handling
- \* Long life
- \* Low maintenance
- \* Accessories:
  - \* Holding device for filling position
  - \* Parallel bar

This type of loading arm is especially designed to load oil products. It is suitable for the top loading of road or rail tankers using the manhole. The loading arm has a long reach and is suitable for application where the manhole cannot be accurately positioned.

Because of the robust and high quality design of the swivel joints and the precise loading arm balancing handling of the loading arm is very convenient.

**E2800 - E2803, E2808 - E2811**

# E2800 - E2803, E2808 - E2811 | LOADING ARMS

## TECHNICAL DATA E2800 - E2803, E2808 - E2811

| Size DN | A*   | B*   | F*   | H*   | D   | Q<br>DIN PN 16 | Q<br>ANSI 150 lbs |
|---------|------|------|------|------|-----|----------------|-------------------|
| mm      | mm   | mm   | mm   | mm   | mm  | mm             | mm                |
| 50      | 2000 | 1600 | 2000 | 1300 | 256 | 225            | 244               |
| 80      | 2800 | 1600 | 2000 | 1300 | 333 | 269            | 288               |
| 100     | 2800 | 1600 | 2000 | 1300 | 411 | 311            | 335               |
| 150     | 2800 | 1600 | 2000 | 1300 | 665 | 378            | 412               |

Alternative dimensions and materials on request

### TYPES

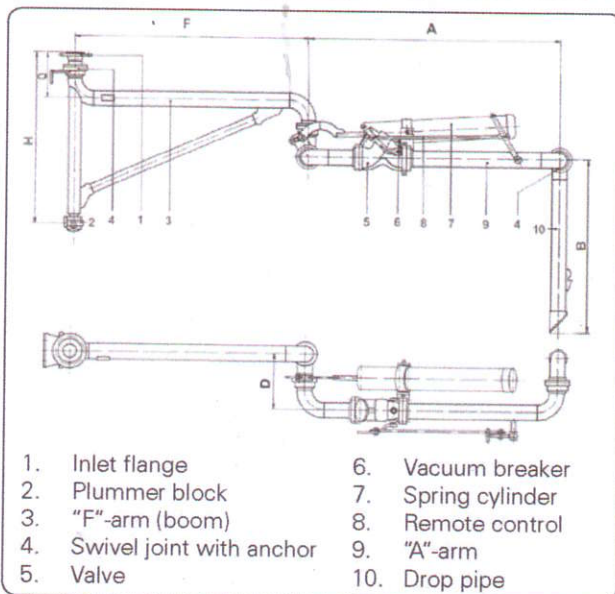
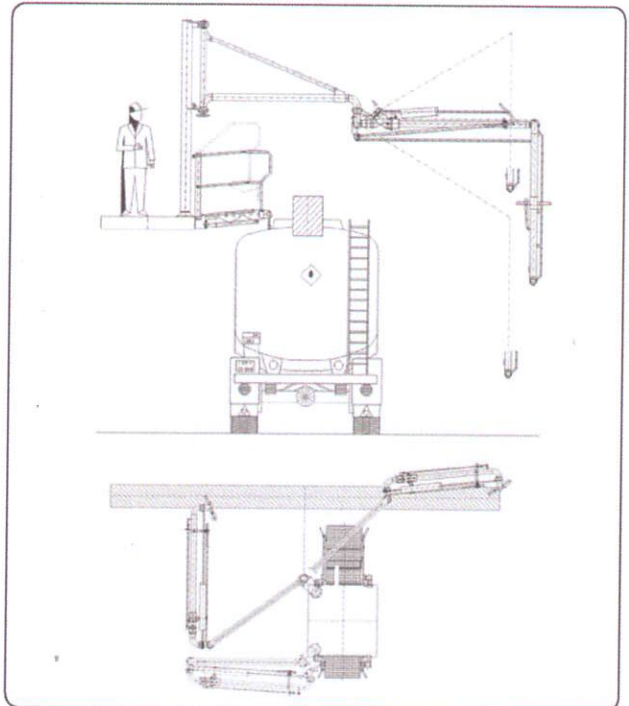
| Sketch | Type      | DN           | Balancing method |
|--------|-----------|--------------|------------------|
|        | E2800     | 80, 100, 150 | Spring cylinder  |
|        | E2808-901 | 50           |                  |
|        | E2800     | 80, 100, 150 | Spring cylinder  |
|        | E2808-901 | 50           |                  |
|        | E2800     | 80, 100, 150 | Spring cylinder  |
|        | E2808-901 | 50           |                  |
|        | E2800     | 80, 100, 150 | Spring cylinder  |
|        | E2808-901 | 50           |                  |

DN 50 version with ball valve instead of valve.  
Remote control with return spring

### MATERIALS OF PRODUCT CARRYING PARTS

|   |               |
|---|---------------|
| E2800 - E2803 up to the valve   | Carbon steel  |
| Valve   | S.G. iron     |
| From valve on   | Aluminium     |
| E2808 - E2811 from inlet flange to swivel joint at drop pipe (these types with ball valve only) | Carbon Steel  |
| Drop pipe   | Aluminium     |
| Swivel joint seal   | Viton         |
| Design pressure (up to shut off valve)  | max. 19 bar   |
| Design temperature  | -10 to +50 °C |

### TYPICAL APPLICATION



- |                             |                    |
|-----------------------------|--------------------|
| 1. Inlet flange             | 6. Vacuum breaker  |
| 2. Plummer block            | 7. Spring cylinder |
| 3. "F"-arm (boom)           | 8. Remote control  |
| 4. Swivel joint with anchor | 9. "A"-arm         |
| 5. Valve                    | 10. Drop pipe      |

Whilst the content of this leaflet has been edited with the greatest care, we are not liable for any errors and/or omissions. Subject to change without notice.

E2800 - E2803, E2808 - E2811 EN 05/07

Better by  
Design



**EMCO WHEATON**

A Gardner Denver Product

EMCO WHEATON GmbH  
Emcostraße 2-4 · 35274 Kirchhain · Germany  
Phone +49 6422 84-0 · Fax +49 6422 5100  
www.emcowheaton.com · assist@emcowheaton.com