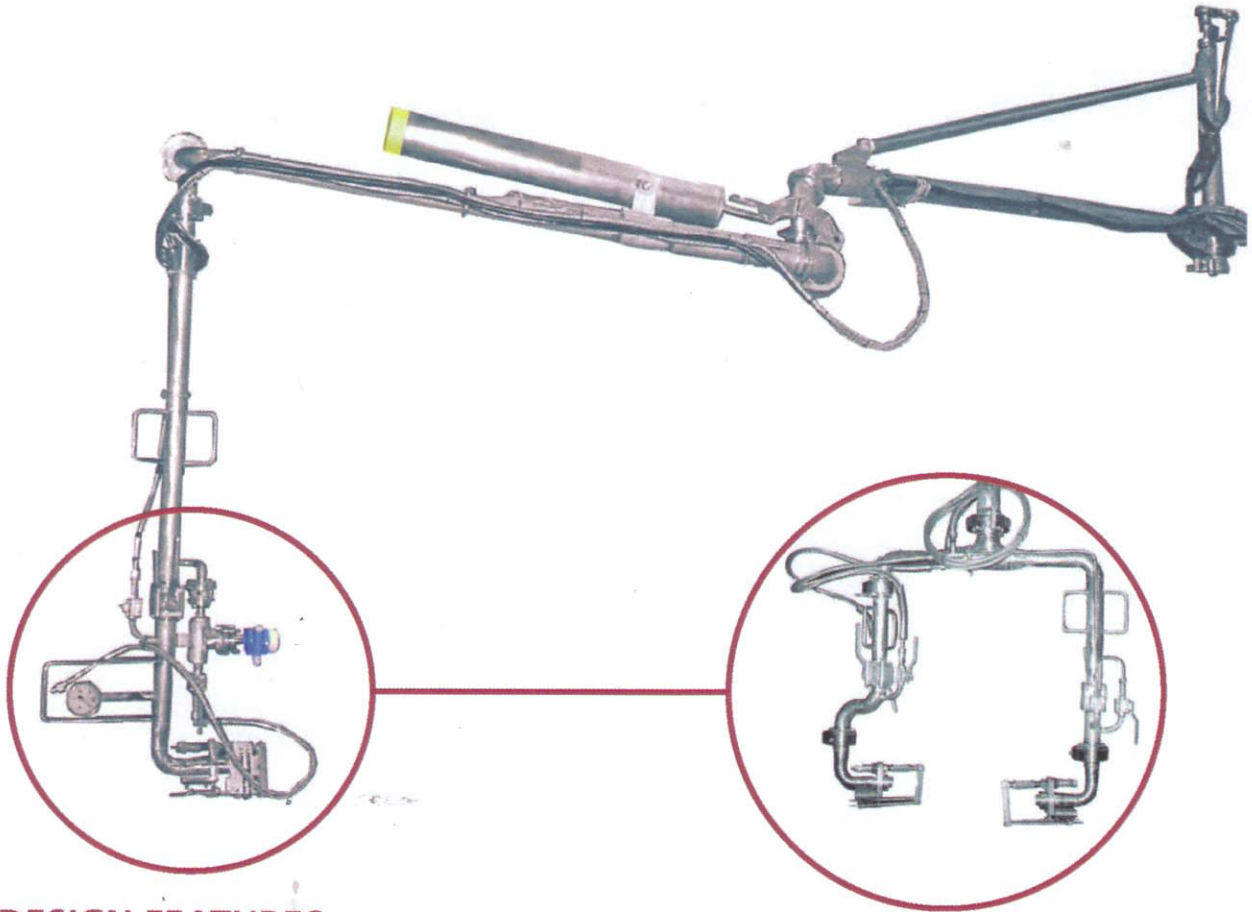


E2611 | TOP LOADING ARM



DESIGN FEATURES

- * For liquid gas
- * For loading and unloading of Russian Railcars
- * Easy handling
- * Low maintenance
- * Long life
- * Environmentally friendly
- * EMCO-high performance swivel joints

These Top Loading Arms are especially designed for loading and unloading of liquefied gases.

The arm is connected to the vessel by couplers, especially designed for Russian railcars. Due to the coupler a fast and safe connection to the valves of the vessel is provided.

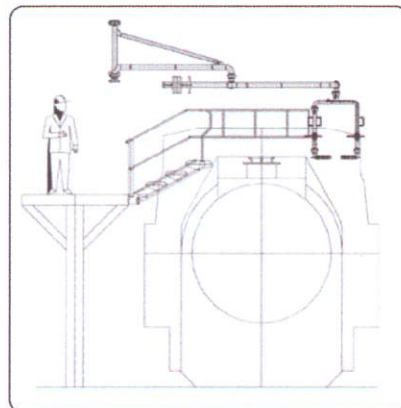
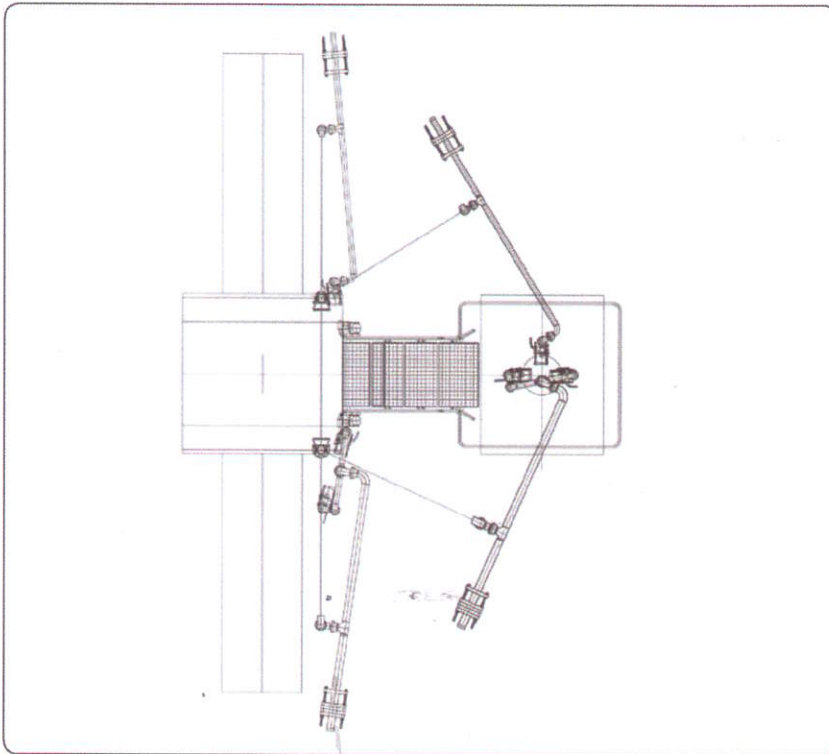
E2611

E2611 | TOP LOADING ARM

TECHNICAL DATA E2611

Size DN	Material	Seal material	Allowable temperature range
100, 80, 50, 40	carbon steel stainless steel	PTFE special materials	-57 °C to +110 °C
Alternative dimensions and materials on request			

TYPICAL APPLICATION:



The Loading arm E2611 is combined by a second recommended reach loading arm:

- * The Loading arm is designed with two end pipes for unloading
- * Gas return arm with one end pipe allows another use of unloading the vessel under pressure

The robust and high quality design of the swivel joints and the spring cylinder balancing gives comfortable and smooth handling of the arm.

The E2611 presents an economic and successful solution for selected applications of loading and unloading

liquified hydrocarbon gases. In distinction to hoses the piping provides safety from explosion, driveway obstructions and condensate losses at site.

Better by
Design



EMCO WHEATON

A Gardner Denver Product

EMCO WHEATON GmbH

Emcostraße 2-4 · 35274 Kirchhain · Germany

Phone +49 6422 84-0 · Fax +49 6422 5100

www.emcowheaton.com · assist@emcowheaton.com