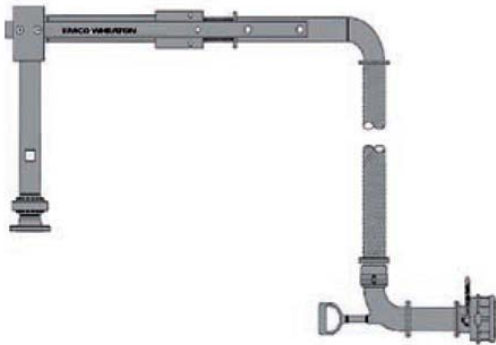


BOTTOM HOSE LOADING ARM WITH COUNTERWEIGHT BALANCE | E2573



5 year limited warranty on D2000 World Series swivel joints.

- ☞ Designed specifically for truck bottom loading petroleum terminal use
- ☞ 4" Carbon steel design with 150# inlet flange
- ☞ 4" TTMA hose connections
- ☞ Counterweight balancing for ease of handling and close center mounting to the API envelope
- ☞ D2000 World Series swivel joints with 5 year maintenance free limited warranty
- ☞ Recommended when crossover of three or more products is required
- ☞ Unique sliding scale weight allows arm to balance in the horizontal position
- ☞ Design allows for easy adjustment, greater coupling efficiency, and reduced installation time
- ☞ Complete package of arm, hose, hose cover, outboard swivel joint spacer spool, and API coupler available



Introducing the new K2 series API coupler, snap on/off action, with or without patented return pump or use the world's most popular API coupler, the J0451.

E2573

