

EMCO WHEATON

A Gardner Denver Product

DRY-BREAK II™ 3-INCH

Emco Wheaton DRY-BREAK™ Couplers and Adapters are used anywhere spill-free fluid transfer is required.

COUPLER



- Cannot be opened until connected to adapter or disconnected until lever is moved to closed position thus eliminating accidental spillage
- Product loss on disconnect virtually eliminated
- Available with straight or 90° integrated ball-bearing swivel for loading arm or kink-free hose connection
- Easily serviced in the field using the **Emco Wheaton Repair Kit Program**
- Interchangeable with all existing Emco Wheaton 3" inlet adapters



ADAPTER



- Enhanced poppet design allows for better flow characteristics in either direction
- Rear-entry design allows for easy field servicing
- One-piece poppet means fewer components for service
- Interchangeable with all existing Emco Wheaton 3" inlet couplers



ACCESSORIES

Dust Cap for Adapter



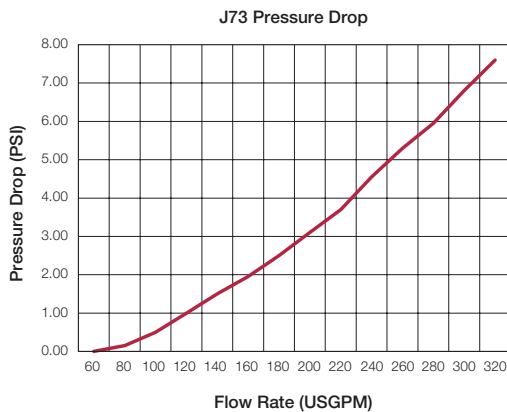
Adapter Opener



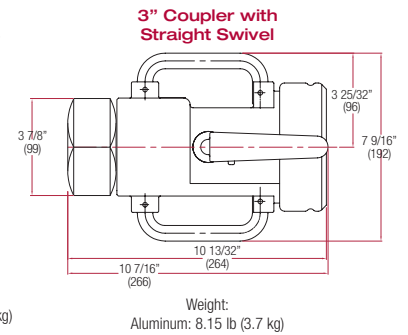
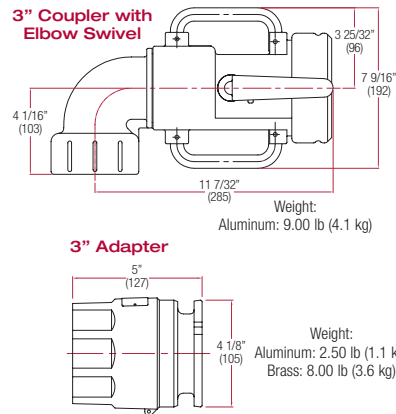
Dust Plug for Coupler



TECHNICAL SPECIFICATIONS



Maximum Working Pressure: 85 psi



TO ORDER 3-INCH PRODUCTS

Configure your part number as shown below.
Sample Part Number:

J 7 3 C - A V N 1 - B 0 0 3

Type	Body Material	Seals	Inlet	Swivel	Rev.	Special Features
C=Coupler A=Adapter	A=Aluminum B=Brass	V=Viton B=Buna	N=Female NPT I=ISO 228 Parallel	0=Straight (No Swivel) 1=Straight with Swivel 2=90° with Swivel	A B etc.	003=Selective (3-pin) 004=Dust Cap

Perfluoroelastomer (Chemraz) -20°F to 450°F (-29°C to 232°C)
Buna -40°F to 225°F (-40°C to 107°C)
Viton 5°F to 225°F (-15°C to 204°C)

CRN available for all provinces and territories.

EMCOWHEATON

A Gardner Denver Product

2480 Bristol Circle, Oakville, Ontario CANADA L6H 5S1

Tel: 905.829.8619 Fax: 905.829.8620

E-mail: sales@emcowheatoncanada.com

www.emcowheaton.com

*Better by
Design*