

## D1131, D1135 | SWIVEL JOINT



### SWIVEL JOINT FOR HEAVY DUTY SPECIAL APPLICATIONS

The D1131 and D1135 swivel joints for special application with one or two ball tracks are variations of the basic D0002 and D1010. These swivel joints are internally lined with PTFE and are equipped with a special PTFE seal. Therefore they are suitable for extremely aggressive products.

The ball tracks are encapsulated by two O-rings. Neither dirt from the outside nor product from within (in case of leakage) can reach the ball track.

Should the main seal fail, leakage is indicated through the leak detection port. This port is PTFE sleeved. Thus contact of product with carbon steel components is prevented.

The ball tracks are hardened and polished.

This gives the swivel joint a high degree of running precision and long service life, even under extreme operating conditions.

The encapsulated ball tracks are provided with a long-term lubricant, relubrication is therefore not required for many years.

Replacement of the special PTFE seals necessitates a high degree of accuracy and experience. Only careful insertion of the special PTFE seal guarantees a long service life.

The D1131 swivel joint is equipped with special flanges. The connection flanges for the pipes are included in the swivel joint order. These flanges are welded to the pipes and then PTFE lined as an assembly.

# D1131, D1135

# D1131, D1135 | SWIVEL JOINT

## TECHNICAL DATA D1131

Size * DN	Material	Seal material	Allowable internal pressure (gauge pressure)		Allowable temperature range **
			operational	test pressure	
50, 80, 100, 150	carbon steel steel PTFE lined	PTFE	10 bar	15 bar	-10 °C to +150 °C

\* Larger sizes are available

\*\* Temperature range might be restricted due to seal material

## TECHNICAL DATA D1135

Size * DN	Material	Seal material	Allowable internal pressure (gauge pressure)		Allowable temperature range **
			operational	test pressure	
150, 200	carbon steel steel PTFE lined	PTFE	10 bar	15 bar	-10 °C to +150 °C

\* Larger sizes are available

\*\* Temperature range might be restricted due to seal material

## D1131 – DIMENSIONS AND WEIGHTS (METRIC)

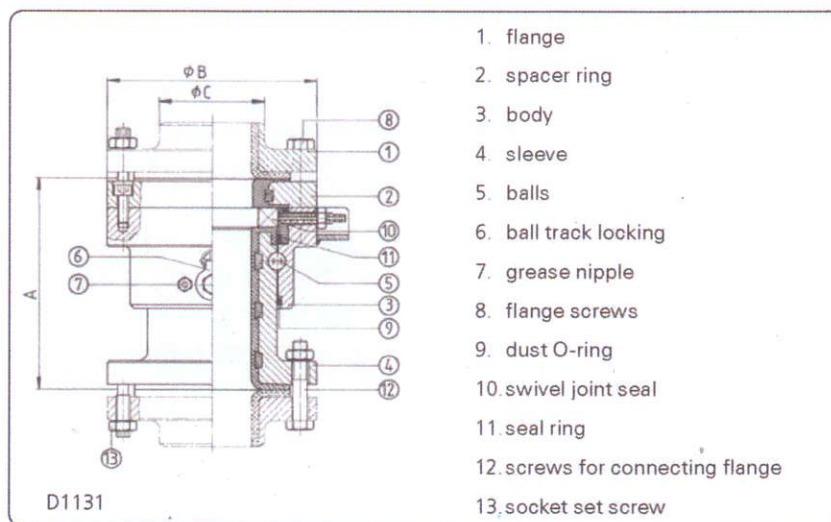
Size	A	B	Bolts	Weight
DN 50	119	118	8 × M 8	5 kg
DN 80	119	143.5	8 × M 8	7 kg
DN 100	119	175	12 × M 10	10 kg
DN 150	164	247	12 × M 12	23 kg

Dimensions and weights for larger swivel joints are available on request

## D1135 – (METRIC)

Size	A	B	Bolts	Weight
DN 150	available on request			
DN 200				

Dimensions and weights for larger swivel joints are available on request



1. flange
2. spacer ring
3. body
4. sleeve
5. balls
6. ball track locking
7. grease nipple
8. flange screws
9. dust O-ring
10. swivel joint seal
11. seal ring
12. screws for connecting flange
13. socket set screw

Normal attitude horizontal or vertical. If O-ring part No. 8 is facing upwards, make certain that water cannot enter into O-ring groove (protective cover)