

D0002 | SWIVEL JOINT



SWIVEL JOINT FOR HEAVY DUTY

The D0002 Swivel Joint is the basic form of swivel joints with one ball track. It has a minimal structural length, minimal external diameter and minimal weight. The internal flange makes it possible to change the seal without removing the swivel joint from the pipeline.

The D0002 Swivel Joint can be relubricated via grease nipples. If required, the balls can be removed and replaced by first removing the ball track plug.

The D0002 Swivel Joint for heavy duty is the ideal Swivel Joint for most applications. The ball track is hardened and polished. This gives the Swivel Joint a high degree of running precision and long service life, even under extreme loads. The sealing surfaces are plated with stainless steel and precision-finished to prevent corrosion. This ensures that the seal that slides along these sealing surfaces is not damaged and will seal perfectly.

D0002

D0002 | SWIVEL JOINT

DIMENSIONS AND WEIGHTS (METRIC)

Size	Material	A	B	C	S	Bolts	Weight
DN 200	carbon steel and low temperature steel	180	323	218.1	8.2	8 x M 16	33 kg
DN 250		200	380	273	9.3	12 x M 16	48 kg
DN 300		220	457	323.9	9.5	12 x M 20	71 kg
DN 400		228.7	552.5	406.4	9.5	12 x M 20	110 kg

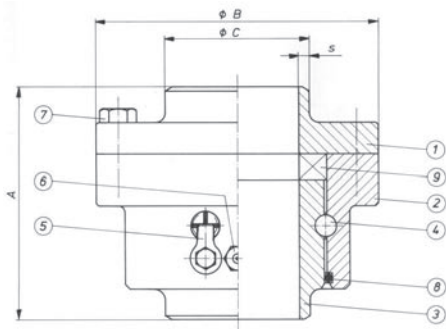
Dimensions and weights for larger swivel joints are available on request.

TECHNICAL DATA

Size DN	Material	Seal material*	Allowable internal pressure (gauge pressure)		Allowable temperature range **
			operational	test pressure	
200, 250, 300, 400, 500, 600	carbon steel	Buna N, Viton, PTFE	25 bar	37.5 bar	-10 °C to +200 °C

* Other seal materials are available on request

** Temperature range might be restricted due to seal material



1. Flange
2. Body
3. Sleeve
4. Balls
5. Ball track locking
6. Grease nipple
7. Flange screws
8. Dust O-Ring
9. Swivel joint seal

Normal attitude horizontal or vertical. If O-ring part No. 8 is facing upwards, make certain that water cannot enter into O-ring groove (protective cover)

EMCOWHEATON

A Gardner Denver Product

Better by Design



EMCO WHEATON GmbH
 Emcostraße 2-4 · 35274 Kirchhain · Germany
 Phone +49 6422 84-0 · Fax +49 6422 5100
 www.emcowheaton.com · info-de@emcowheaton.com