

# Wanco Steel Cable Ladder

**Wanco** Steel Cable Ladders are constructed in accordance with the NEMA Standard No. VE1 wherever possible.

In most cases, **Wanco** Steel Cable Ladders exceed the minimum strength requirements of each ladder class.

The NEMA load graphs in this brochure should be used as a guide to find out the actual safe load capacity of each ladder type.

There are basically 2 types of Cable Ladder construction:

1. Knockdown type (rung bolted to the side rail)
2. Welded type (rung welded to side rail)

## Standard Specifications

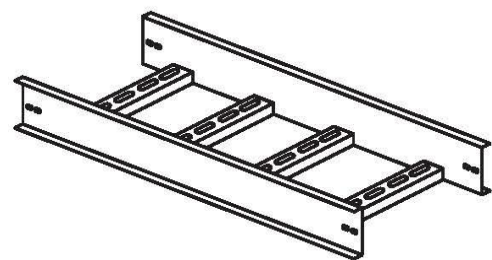
Length:	2440mm, 3000mm, 6000mm
Rail Height:	75mm, 100mm, 150mm
Rung Spacing:	300mm centre
Width:	150mm, 300mm, 450mm, 600mm 750mm, 900, 1000mm, 1200mm

Other sizes are available upon request.

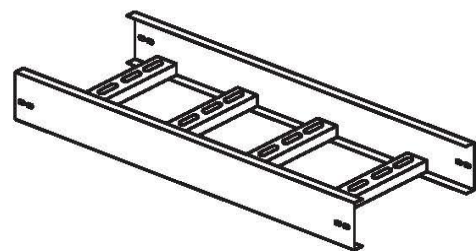
## Materials and Finishing

1. Pre-Galvanised Steel to BS 2989, original finishing
2. Hot Roll Steel and HDG to BS EN 729
3. Mild Steel and Epoxy Coated
4. Stainless Steel AISI 304, 316, 316L
5. High Silicon Steel and HDG
6. Aluminium
7. ZAM - Zinc-Aluminium-Magnesium protective coating

BS729 Hot Dipped Galvanised Specifications	
Coating Weight	Avg. Coating Wt (g/m <sup>2</sup> )
Under 5mm but not less than 2mm	460
Under 5mm but not less than 1mm	335



Cable Ladder - Reverse Flange Welded Type

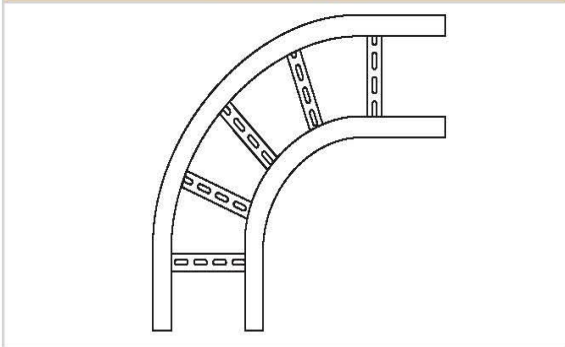


Cable Ladder - Inward Flange Knockdown Type

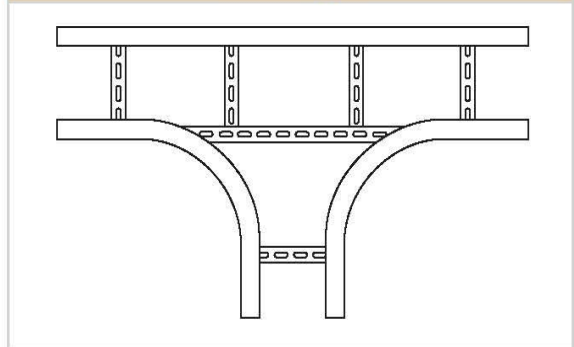
NEMA Table Load/Span Designations		
Class Designation	Support Span (Feet)	Working Load / Linear Foot
8A	8 (2.4m)	50 lbs (75 kg/m)
8B	8 (2.4m)	75 lbs (112 kg/m)
8C	8 (2.4m)	100 lbs (149kg/m)
12A	12 (3.6m)	50 lbs (75 kg/m)
12B	12 (3.6m)	75 lbs (112 kg/m)
12C	12 (3.6m)	100 lbs (149kg/m)
16A	16 (4.8m)	50 lbs (75 kg/m)
16B	16 (4.8m)	75 lbs (112 kg/m)
16C	16 (4.8m)	100 lbs (149kg/m)
20A	20 (6.0m)	50 lbs (75 kg/m)
20B	20 (6.0m)	75 lbs (112 kg/m)
20C	20 (6.0m)	100 lbs (149kg/m)

# Wanco Steel Cable Ladder

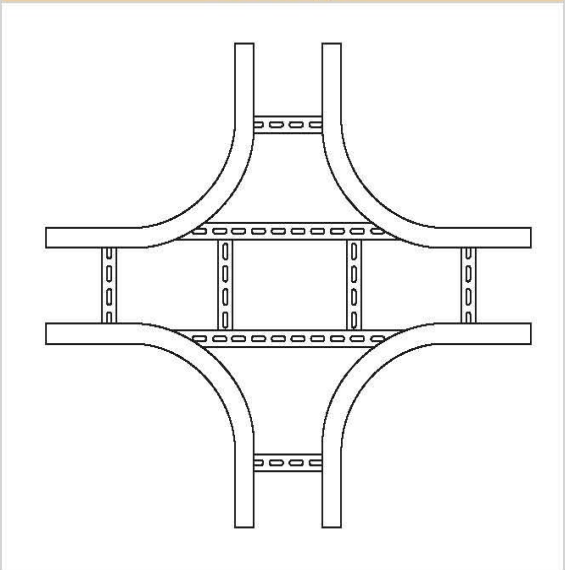
Horizontal Equal Bend  
Welded Type



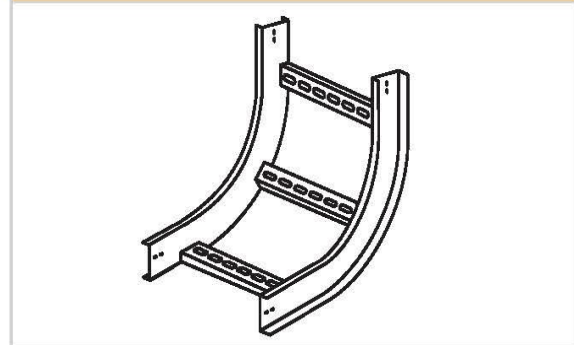
Horizontal Equal Tee  
Welded Type



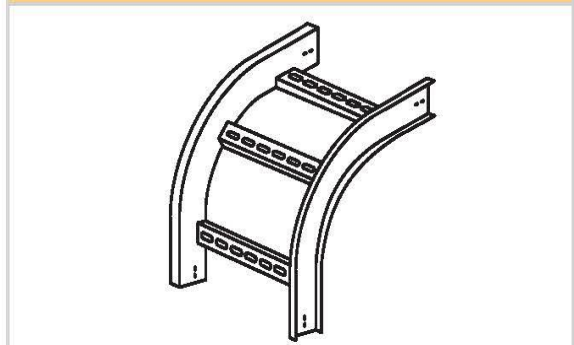
Horizontal Equal Cross  
Welded Type



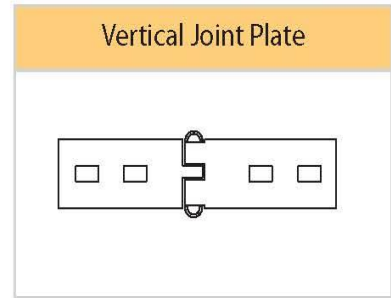
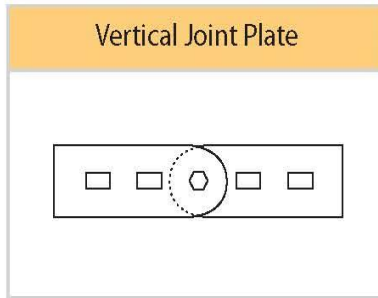
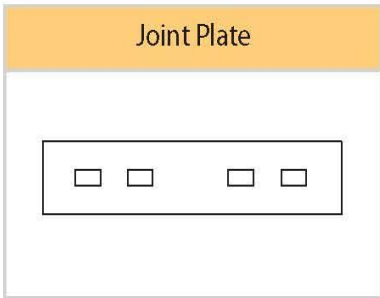
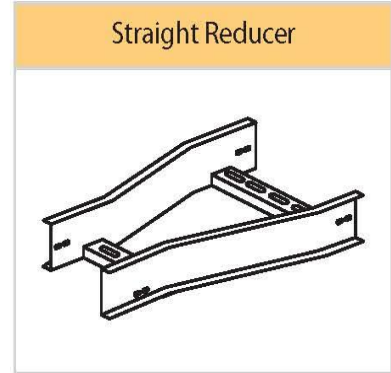
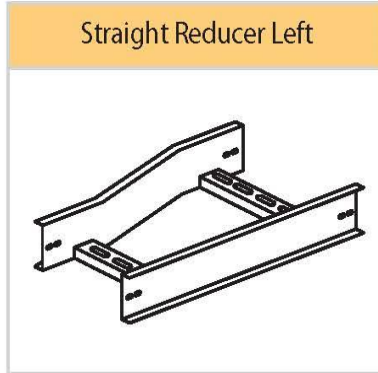
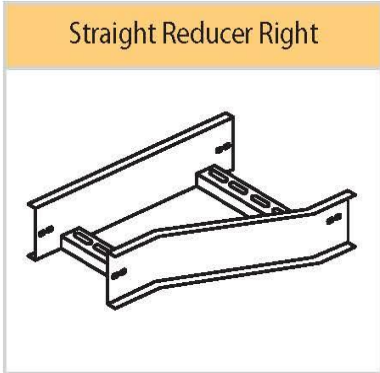
Vertical Inside Riser



Vertical Outside Riser



# Wanco Steel Cable Ladder



## Loading Data for Cable Ladders

